

AS/AX

Hydraulic Wrenches



allkitronic[®]

designed to fit

Application

- Hydraulic torque wrenches with 2 hydraulic hose system for tightening or loosening of heavy bolt connections
- **alkitronic® AS** hydraulic torque wrenches up to 37.600 Nm for threads of M14 and larger
- **alkitronic® AX** convertible type torque wrench up to 49.240 Nm
Drive element with interchangeable hexagon link from 17 to 145 mm

Advantages

- Simple handling and low weight
- Economic construction with few single components
- High efficiency with minimum maintenance requirements and low costs
- Hard-wearing, ergonomically shaped housing design made of high-density aluminium alloy
- **alkitronic® AS**
Torsion-resistant, one-piece construction
Wide torque range, setting table directly on the tool
Simple changing of the square drive from tightening to loosening
- **alkitronic® AX**
Highly flexible due to simple and fast changing of the hexagon links
Trouble-free support without affecting the torque accuracy by lateral force

alkitronic® specials

- Convenient, secure and reliable individually pivoting joint couplings (360°). Capable of withstanding an up to 4x higher maximum operating pressure
- Robust ratchet with fine teeth for high torque accuracy and a max. stroke of 28°
- Constructive precise guided drive element
- **alkitronic® AX**
Developed for applications in restricted space and difficult to access areas:
Drive element and hexagon link in line extremely flat and flush design

Specifications

Important for the exact reproducibility of the specified torque a pressure of max. 700 bar.
Repeatability +/- 3%.



Product information

For a fast and reliable operation of the hydraulic wrenches we recommend our **alkitronic® NOVA** hydraulic pump. 700 bar max. pressure, can be used worldwide in all mains grids (100-253 V / 45-66 Hz).

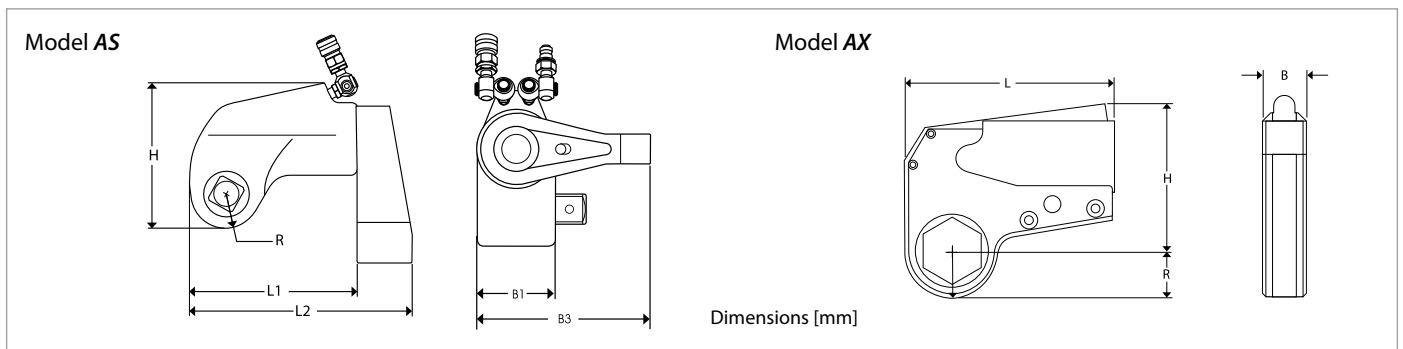
alkitronic® AS and AX accessories:
Due to specific selection of the wide range of accessories the user is able to work a broader field of applications.
Please ask us for individual solutions, we will gladly advise you.



alkitronic® NOVA hydraulic pump
Depending on model up to 4 hydraulic wrenches can be operated at the same time.

alkitronic® NOVA specials
Low running costs, robust and compact design, capable of continuous operation.
Without magnetic valve control, high durability of the equipment, simple automatic operation.

Technical Data



Models *alkitronic*® AS

Type		AS 1	AS 2	AS 3	AS 5	AS 7	AS 11	AS 15	AS 20	AS 27 ***
Torque range (approx.) *	Nm	130-1200	170-1750	450-4600	780-7600	1020-10200	1520-15200	2060-20000	2670-28500	3760-37600
	lbf.ft	90-910	127-1270	330-3330	560-5600	740-7400	1100-11000	1470-14750	1940-20625	2720-27200
Square drive size **		3/4"	3/4"	1"	1 1/2"	1 1/2"	1 1/2"	2 1/2"	2 1/2"	2 1/2"
Height	H mm	88	105	135	162	182	198	232	237	259
Length	L1 mm	94	122	153	182	208	227	304	274	294
Length	L2 mm	123	170	213	252	290	313	405	390	415
Radius	R mm	20	25	33	41	45	50	59	58	63
Width	B1 mm	42	51	67	79	92	100	104	124	134
Width	B3 mm	87	118	149	175	204	225	254	275	293
Weight (approx.)	kg	1.2	1.8	4.2	8.4	8.9	13.6	22	28.5	32.7

Ask us about: **) other square drive sizes ***) models with higher torque range

Models *alkitronic*® AX

Type		AX 1	AX 2	AX 4	AX 8	AX 16	AX 32 ***
Torque range (approx.) *	Nm	60-770	260-2600	540-5400	1150-11900	2150-22900	4450-49000
	lbf.ft	45-560	192-1928	395-3950	830-8630	1560-16600	3220-35650
Hexagon **	SW mm	14-32	27-55	36-70	55-95	80-115	95-145
Width	B mm	20	38	51	60	65	84
Length	L mm	111	167	203	253	330	390
Height	H mm	83	103	144	180	194	278
Weight (approx.)	kg	0.5	1.7	2.9	5.8	7.5	12.0

Ask us about: **) other A/F sizes ***) models with larger torque range

Models *alkitronic*® AX Link

Typ AX 1-		SW 17	SW 19	SW 22	SW 24	SW 27	SW 30	SW 32
Radius (approx.)	R mm	19	19	23	23	23	25	25
Typ AX 2-		SW 27	SW 30	SW 32	SW 36	SW 41	SW 46	SW 50
Radius (approx.)	R mm	26	28	28	31	33	36	39
Typ AX 4-		SW 36	SW 41	SW 46	SW 50	SW 55	SW 60	SW 65
Radius (approx.)	R mm	34	34	37	41	44	46	49
Typ AX 8-		SW 55	SW 60	SW 65	SW 70	SW 75	SW 80	SW 85
Radius (approx.)	R mm	46	49	52	55	58	60	65
Typ AX 16-		SW 80	SW 85	SW 90	SW 95	SW 100	SW 105	SW 110
Radius (approx.)	R mm	63	67	69	75	75	78	87
Typ AX 32-		SW 95	SW 100	SW 105	SW 110	SW 115	SW 120	SW 125
Radius (approx.)	R mm	82	82	88	94	94	100	100
		SW 130	SW 135	SW 140	SW 145			
		100	104	109	109			

*) When loosening a bolted connection, up to 20% higher torque may be required (loosening torque). We will gladly advise you in detail.