

R / SG

for Plate Heat
Exchangers



alkitronic[®]

designed for your needs

Applications

- Continuous rotation tightening or loosening of spindles or long threaded bolts. Ideal operational areas are bolting connections on plate heat exchangers
- Torque range of the pneumatic driven types:
alkitronic[®] *RCL* 2 gear torque multiplier with radial gearing from 590 Nm - 4,840 Nm
alkitronic[®] *CLS-SG* with tangential gearing from 1,280 Nm - 3,780 Nm
- Torque range of the electric drives types:
alkitronic[®] *EF-R* / *EFCip-R* / *EF-SG* / *EFCip-SG* from 560 Nm - 3,780 Nm

Advantages

- Load-free operation with short assembly time
- Fast and simultaneous tightening of large plate packs when using two or more torque multipliers diagonally
- Targeted types for convenient working in every tightening situation
- *alkitronic*[®] *RCL* with fast gear for turning in and simple, quick switching to power gear

alkitronic[®] specials

- Simple 1-finger operation for quick, safer work
- Considerable time saving during permanent operation (optional with *RCL* and *CLS-SG*)
- Radial gearing (*R*) with high-performance worm-drive
- Tangential gearing (*SG*) with highly efficient spur gear
- Robust motor and gear housing of cast aluminium

Specifications

Pneumatic driven Models:

Prerequisites for best work and the indicated torques are an operating pressure of 2-7 bar at a volume flow of approx. 10-15 l/s. The torque accuracy depends on the stability of the supply system.

Electric driven Models:

Repeat shut-off accuracy $\pm 3\%$ for the same bolting application
Universal AC Input 100 V - 253 V, frequency 45 Hz - 66 Hz
Power max. 2000 W, protection category I. Protection class IP 54 with models *EFCip* (standard), *EF* models optional.



Product info Remote Control

alkitronic[®] *CLV*

Model range with convenient remote control and individual pneumatic drive. When using several torque multipliers with radial (*R*) or tangential (*SG*) gearing, large plate packs can be tightened fast, simultaneously and evenly.

For highly efficient bolting connections with one or up to four *alkitronic*[®] torque multipliers, preconfigured *alkitronic*[®] remote systems are already available.

For the electric types we recommend i.e. the *alkitronic*[®] *FB-EF* remote control, cable-based with a transmission length of 5m.

We will gladly provide you with comprehensive information on this.

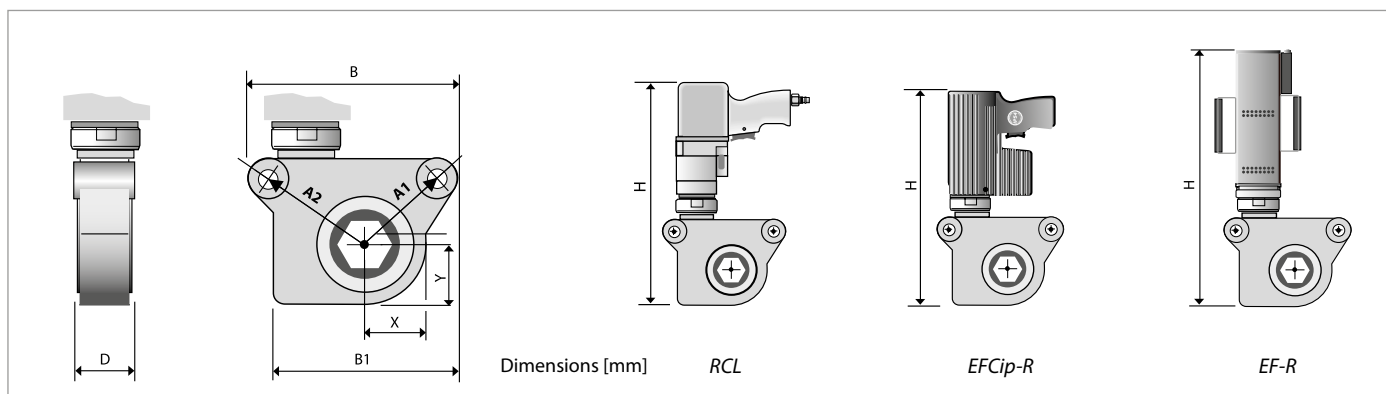


Image above: PWT of Alfa Laval
Images on the right:
alkitronic[®] *CLS-SG* and *RCL* in operation on plate heat exchangers.



Technical Data

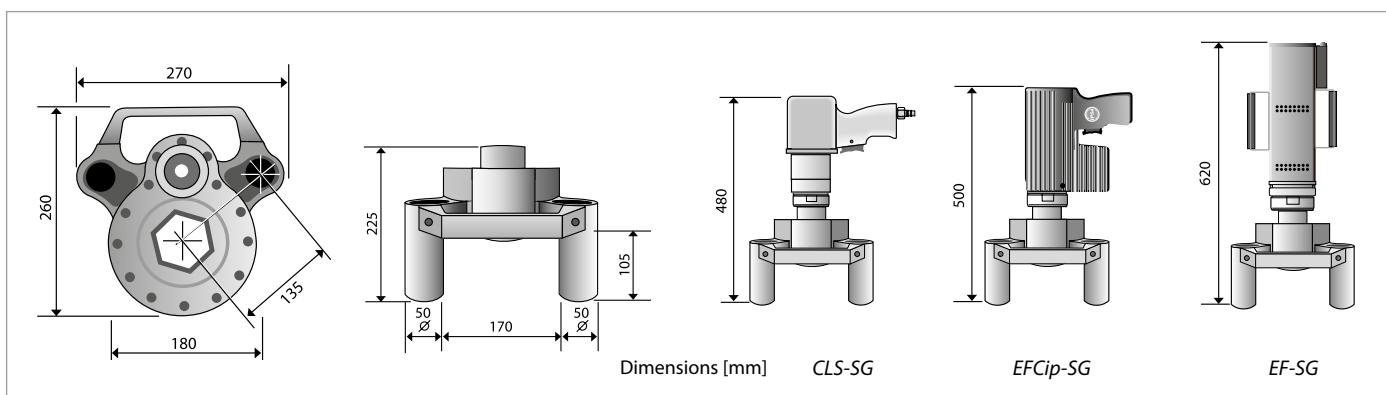
alkitronic® Radial Gearing (R)



Radial Gearing Models		Pneumatic drive			Electric drive					
		RCL			EFCip-R			EF-R		
Type		RCL 36	RCL 46	RCL 80	EFCip-R 36	EFCip-R 46	EFCip-R 80	EF-R 36	EF-R 46	EF-R 80
Torque range 2nd gear (approx.)	Nm	590-1730	630-1850	670-1975						
Torque range 1st gear (approx.)	Nm	1440-4235	1545-4535	1645-4840	560-3780	560-3780	560-3780	560-3780	560-3780	560-3780
Spanner width	mm	36	46	80	36	46	80	36	46	80
Height (approx.)	H mm	400	435	450	385	425	475	500	550	600
Width (approx.)	B/B1 mm	230/190	252/215	325/-	230/190	252/215	325/-	230/190	252/215	325/-
Bolt distance (approx.)	A1/A2 mm	100/128	112/145	156/194	100/128	112/145	156/194	100/128	112/145	156/194
Dimensions (approx.)	X/Y mm	56/56	75/75	98/98	56/56	75/75	98/98	56/56	75/75	98/98
Dimension (approx.)	D mm	90	94	94	90	94	94	90	94	94
Weight (approx.)	kg	12	12.5	20	12	14.5	21	16	14.5	24.5
Idle speed (approx.)	rpm	1	1	2	8	7	7	10	9	9
Idle speed 2nd gear (approx.)	rpm	3	3	6	-	-	-	-	-	-

When loosening a bolted connection, up to 20% higher torque may be required (loosening torque). We will gladly advise you in detail.

alkitronic® Tangential Gearing (SG)



Tangential Gearing Models		Pneumatic drive		Electric drive			
		CLS-SG		EFCip-SG		EF-SG	
Type		CLS-SG 65	CLS-SG 80	EFCip-SG 65	EFCip-SG 80	EF-SG 65	EF-SG 80
Torque range (approx.)	Nm	1280-3780	1280-3780	560-3780	560-3780	560-3780	560-3780
Spanner width	mm	65	80	65	80	65	80
Weight (approx.)	kg	17	17	19	19	22	22
Idle speed (approx.)	rpm	3.5	3.5	6	6	10	10