

**CLV**

Pneumatic  
Torque Multiplier



**allkitronic<sup>®</sup>**

## Applications

- Pneumatic torque multipliers for torques up to 3,460 Nm
- Multiple fastening connections and series assembly in semi-automatic operation
- Perfect for bolted applications in an environment with increased hazard of explosion

## Advantages

- Permanently higher joint quality as compared to impact and hydraulic wrenches by continuous rotation of the square drive
- **Concurrent** and **even** bolted connection, crosswise with several *alkitronic® CLV* torque multipliers
- Comfortable remote control for right-left rotation
- Low noise emission values by integrated muffling

## alkitronic® specials

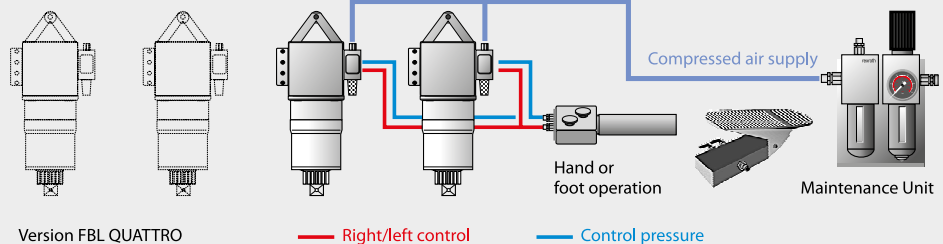
- Universal valve block for pneumatic steering according specific requirements
- Robust pneumatic drive with sophisticated high-performance gear, reliably used around the world
- *alkitronic® CLV Remote systems* for one to four CLV torque multipliers
- *alkitronic® Exhaust system* for a workplace without air swirls (optional)



### alkitronic® CLV Remote Systems

**Chart:**  
*FBL DUO* for two *CLV* torque multipliers

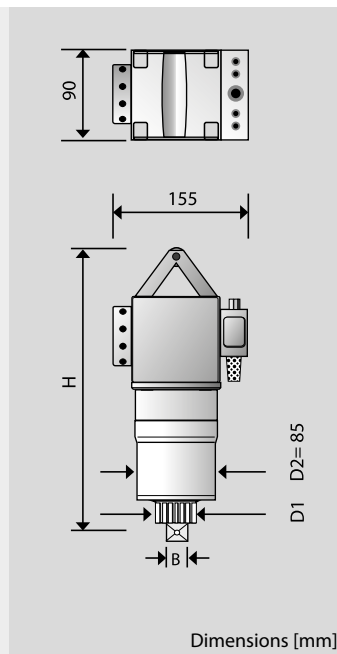
The *FBL QUATTRO* version for four *CLV* torque multipliers more details on request.



### Technical data: Models *CLV*

Type		CLV 15	CLV 25	CLV 35	CLV 45	CLV 75	CLV 95	CLV 135	CLV 175	CLV 255	CLV 315
Torque range (approx.) *	Nm	60-220	90-280	130-400	160-500	300-900	360-1100	490-1450	650-1900	900-2700	1200-3500
Square drive	B	1/2" / 3/4"	1/2" / 3/4"	3/4"	3/4"	3/4"	3/4"	1"	1"	1"	1"
Diameter (approx.)	D <sub>1</sub>	mm	41	41	41	41	41	54	54	54	54
Height (approx.)	L	mm	296	296	296	296	318	318	320	340	372
Weight without DMA (approx.)	kg	5.5	5.5	6	6	6.5	6.5	6.5	6.5	7	7
Idle speed	rpm	60	38	34	27	19	13	9	7	6	4

\*) When loosening a bolted connection, up to 20% higher torque may be required (loosening torque). We will gladly advise you in detail.



### Specifications

Prerequisites for best work and the indicated torques are an operating pressure of 2-7 bar at a volume flow of approx. 10-15 l/s. The torque accuracy depends on the stability of the supply system. The torque control of the pneumatic *alkitronic®* torque multiplier takes place via the air supply or pressure regulator of the Maintenance Unit.

### Accessories

Maintenance Unit, complete with filter, regulator, oiler and 5m hose, incl. couplings.



alki TECHNIK GmbH reserves the right to change specifications without prior notice



*alkitronic® CLV* operating in a preassembly and final assembly workstation. Remote controlled continuous tightening in semi-automatic operation.

