

CLD/L

Pneumatic
Torque Multiplier



alkitronic[®]

Applications

- Pneumatic torque multipliers for torques up to 1,900 Nm
- Continuous rotation tightening or loosening of all heavy duty fastening connections
- Perfect for bolted applications in an environment with increased hazard of explosion

Advantages

- Quick, compact and safe for fast joint assembly
- The 360 degree rotating handle ensures comfortable operation and none of the reaction forces are transferred to the operator
- Permanently higher joint quality as compared to impact and hydraulic wrenches by continually rotating bolting

alkitronic® specials

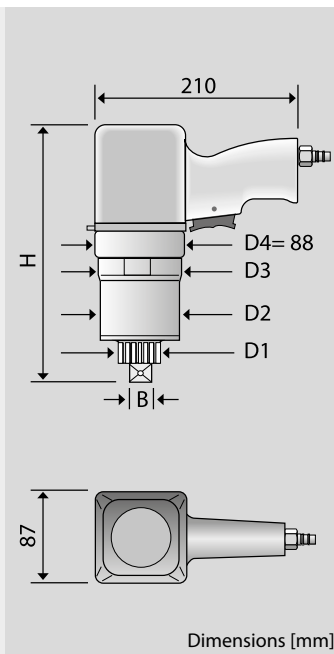
- Simple 1-finger operation for right/left rotation, optional facility to enable the reaction to be locked in one position
- Robust motor housing from cast aluminium with proven pneumatic drive
- Proven high-performance gears, produced in a chip-free high-precision process to produce high loads with low wear
- On demand with optional silencer levels to reduce the noise from the motor exhaust



Technical Data: Models CLD/L

Type		CLD/L 1	CLD/L 2	CLD/L 3	CLD/L 4	CLD/L 5	CLD/L 6	CLD/L 7
Torque range (approx.) *	Nm	70-230	130-400	160-500	300-900	360-1100	500-1450	650-1900
	lbf.ft	50-170	100-290	120-370	220-660	270-810	370-1070	480-1400
Square drive	B	1/2" / 3/4"	3/4"	3/4"	3/4"	3/4"	3/4" / 1"	1"
Diameter (approx.)	D ₁	mm	41	41	41	41	41 / 54	54
Diameter (approx.)	D ₂	mm	85	85	85	85	85	85
Diameter (approx.)	D ₃	mm	88	88	88	88	88	88
Height (approx.)	H	mm	255	255	255	275	275 / 300	300
Weight without DMA (approx.)	kg		6	6	6	7	7	7
Idle speed	rpm		60	34	27	19	13	9

*) When loosening a bolted connection, up to 20% higher torque may be required (loosening torque). We will gladly advise you in detail.



Specifications

Prerequisites for best work and the indicated torques are an operating pressure of 2-7 bar at a volume flow of approx. 10-15 l/s. The torque accuracy depends on the stability of the supply system. The torque control of the pneumatic *alkitronic*® torque multiplier takes place via the air supply or pressure regulator of the Maintenance Unit.

Accessories

Maintenance Unit, complete with filter, regulator, oiler and 5m hose, incl. couplings.



alki TECHNIK GmbH reserves the right to change specifications without prior notice



alkitronic®