

CL

Pneumatic
Torque Multiplier



alkitronic[®]

Applications

- Continuous rotation tightening or loosening of all heavy duty fastening connections
- Perfect for bolted applications in an environment with increased hazard of explosion
- **alkitronic® CLS** quick, compact torque multiplier for torques of 60 Nm to 3,500 Nm
- **alkitronic® CLD** comfortable torque multiplier with rotating handle for torques of 160 Nm to 9,800 Nm
- **alkitronic® CLS2** high-performance capable 2-gear machine for torques of 120 Nm to 48,000 Nm

Advantages

- Permanently higher joint quality as compared to impact and hydraulic wrenches by continuous rotation of the square drive
- **alkitronic® CLD** - the 360 degree rotating handle ensures comfortable operation and none of the reaction forces are transferred to the operator
- **alkitronic® CLS2** with fast gear for turning in and simple, quick switching to power gear (is used for applying the final torque)

alkitronic® specials

- Simple 1-finger operation for right/left rotation, optional facility to enable the reaction to be locked in one position
- Robust motor housing from cast aluminium with proven pneumatic drive
- Proven high-performance gears, produced in a chip-free high-precision process produce high loads with low wear
- **alkitronic® CLS2** with uniquely high torque - 48,000 Nm
- On demand with optional silencer levels to reduce the noise from the motor exhaust

Specifications



On request, you will receive our pneumatic multipliers with **ATEX-Certification: II 2 G D c IIB T6**

Prerequisites for best work and the indicated torques are an operating pressure of 2-7 bar at a volume flow of approx. 10-15 l/s. The torque accuracy depends on the stability of the supply system.

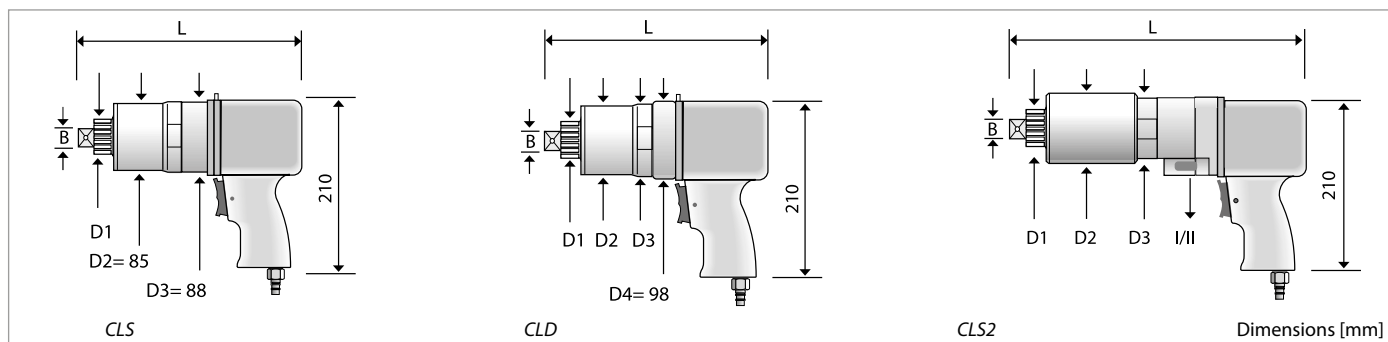


alkitronic® CLS2 2-gear pneumatic torque multiplier. Mechanically switchable from fast gear to power gear.

alkitronic® CLD torque multipliers in use (figures on the right). Screw connections at a bolt circle and a diesel unit for large construction machines



Technical Data



Models CLS

Type		CLS 15	CLS 25	CLS 35	CLS 45	CLS 75	CLS 95	CLS 135	CLS 175	CLS 255	CLS 315
Torque range (approx.) *	Nm	60-220	90-280	130-400	160-500	300-900	360-1100	500-1450	650-1900	900-2700	1200-3500
Square drive	B	1/2" / 3/4"	1/2" / 3/4"	3/4"	3/4"	3/4"	3/4"	1"	1"	1"	1"
Diameter (approx.)	D ₁ mm	41	41	41	41	41	41	54	54	54	54
Length (approx.)	L mm	255	255	255	255	277	277	300	300	330	330
Weight without DMA (approx.)	kg	6	6	6	6	7	7	8	8	8.5	8.5
Idle speed	rpm	60	38	34	27	19	13	9	7	6	4

Models CLD

Type		CLD 55	CLD 85	CLD 105	CLD 125	CLD 155	CLD 225	CLD 280	CLD 380	CLD 580	CLD 780	CLD 980
Torque range (approx.) *	Nm	160-490	300-900	360-1100	450-1300	600-1700	900-2700	1200-3500	1500-4400	2100-6100	2600-7700	3300-9800
Square drive	B	3/4"	3/4" / 1"	1"	1"	1"	1"	1"	1 1/2"	1 1/2"	1 1/2"	1 1/2"
Diameter (approx.)	D ₁ mm	41	41/54	54	54	54	54	54	72	72	72	91
Diameter (approx.)	D ₂ mm	85	85	85	85	85	85	85	98	109	133	173
Diameter (approx.)	D ₃ mm	88	88	88	88	88	88	88	98	109	133	173
Length (approx.)	L mm	280	300	300	300	300	300	300	320	350	350	370
Weight without DMA (approx.)	kg	7	8	8	8	8	8.5	8.5	10.5	13	15	25
Idle speed	rpm	27	19	12	9	7	5	4	3	2	1.5	1

Models CLS2

Type		CLS2/100	CLS2/150	CLS2/300	CLS2/400	CLS2/600	CLS2/800	CLS2/1000	CLS2/3400	CLS2/4800
Torque range 2nd gear (approx.) *	Nm	120-360	170-500	380-1150	550-1600	850-2500	1000-3000	1200-3500	3300-9700	4700-14000
Torque range 1st gear (approx.) *	Nm	380-1100	550-1600	1200-3600	1700-5100	2700-7900	3200-9400	3700-11000	11600-34000	16500-48600
Square drive	B	3/4" / 1"	1"	1"	1 1/2"	1 1/2"	1 1/2"	1 1/2"	2 1/2"	2 1/2"
Diameter (approx.)	D ₁ mm	41/54	54	54	72	72	72	91		
Diameter (approx.)	D ₂ mm	85	85	85	98	109	133	173		
Diameter (approx.)	D ₃ mm	88	88	88	98	109	133	173		
Length (approx.)	L mm	330	330	360	380	410	410	430		
Weight without DMA (approx.)	kg	7	7.5	9	11	12	16	24	58	58
Idle speed 2nd gear	rpm	36	21	15	9	6	5	4		
Idle speed 1st gear	rpm	12	7	5	3	2	1.5	1	further details upon request	

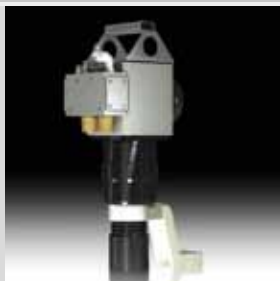
*) When loosening a bolted connection, up to 20% higher torque may be required (loosening torque). We will gladly advise you in detail.

Product information

alkitronic® CLV models

Pneumatic torque multipliers with remote control for multiple bolted connections and serial assembly in semi-automatic operation. Torques up to 3,460 Nm.

We will gladly provide you with comprehensive information on this.



The torque control of the pneumatic alkitronic® torque multiplier takes place via the air supply or pressure regulator of the Maintenance Unit.

Accessories

Maintenance Unit, complete with filter, regulator, oiler and 5m hose, incl. couplings.

